

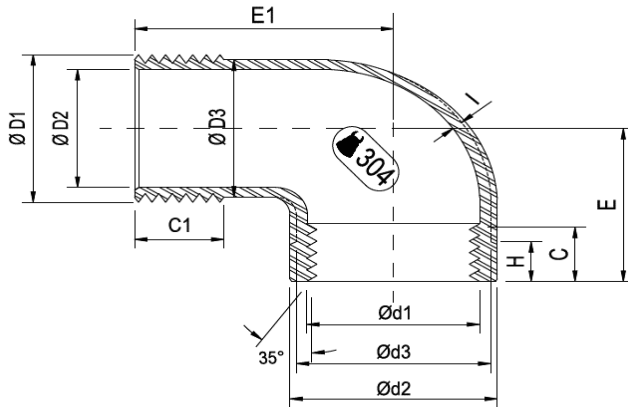


**STAINLESS STEEL**

**150 LBS SCREWED FITTINGS**

**BSPP (ISO 228-1), BSPT (ISO 7-1), NPT THREAD**

DIMENSION CONFORM TO ASME B16.3 AND ANSI/MSS SP-114-2018 WHERE APPLICABLE  
 MATERIAL CONFORM TO ASTM A351 GR. CF8 & CF8M  
 PRESSURE-TEMPERATURE RATINGS 300 PSI (-29 TO 66°C)  
 MADE BY LOST WAX INVESTMENT CASTING



**ELBOW 90° M.F.**

SIZE	d1	d2	d3	C	E	H	D1	D2	D3	C1	E1	l	Weight (Kg/Pc)
	Inch	mm	mm	mm	mm	mm	Inch	mm	mm	mm	mm		
1/8"	1/8"	14.0	12.8	7.4	16.4	4.8	1/8"	6.3	10.9	11.0	30.7	2.3	0.02
1/4"	1/4"	17.3	15.8	9.8	18.5	5.3	1/4"	6.3	10.9	11.0	30.7	2.3	0.03
3/8"	3/8"	20.8	18.9	10.0	21.7	6.0	3/8"	9.3	14.3	11.7	36.6	2.2	0.05
1/2"	1/2"	26.4	24.6	11.5	26.7	6.3	1/2"	13.0	18.3	16.0	40.7	2.0	0.07
3/4"	3/4"	32.3	30.3	11.8	30.3	7.4	3/4"	17.5	23.8	17.5	47.4	2.1	0.12
1"	1"	39.5	37.0	13.5	35.0	9.0	1"	24.2	30.8	20.4	53.7	2.1	0.18
1 1/4"	1 1/4"	49.0	46.0	15.5	42.8	10.8	1 1/4"	31.0	38.1	22.1	62.2	2.5	0.32
1 1/2"	1 1/2"	55.4	52.3	17.1	44.8	12.0	1 1/2"	36.1	43.7	23.6	68.1	2.5	0.41
2"	2"	67.9	64.7	17.7	54.4	12.6	2"	46.4	55.2	24.5	82.2	2.5	0.67
2 1/2"	2 1/2"	90.0	83.7	23.5	64.0	12.9	2 1/2"	63.7	70.4	25.0	93.0	3.2	1.04
3"	3"	100.0	97.0	24.0	70.5	14.0	3"	76.9	84.3	27.0	106.0	3.7	1.33
4"	4"	127.0	122.5	25.0	87.5	15.5	4"	100.0	107.5	27.5	127.0	3.8	2.35